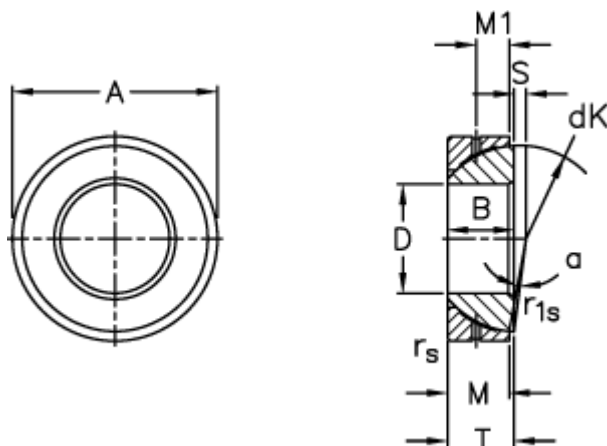


Article number: 03509080

Description: Fluro Rod end GE 80SX

Measures



A	= 125 0 -0,020	S	= 8.6
B	= 29	Static load C0 (kN)	= 1250
D	= 80 0 -0,015	T	= 29 +0,25 -0,50
dK	= 115	Tilt angle	= 3.5
Dynamic load C (kN)	= 250	Weight	= 1540
M	= 25.5		
M1	= 14.5		
rs, r1s min	= 1.1		